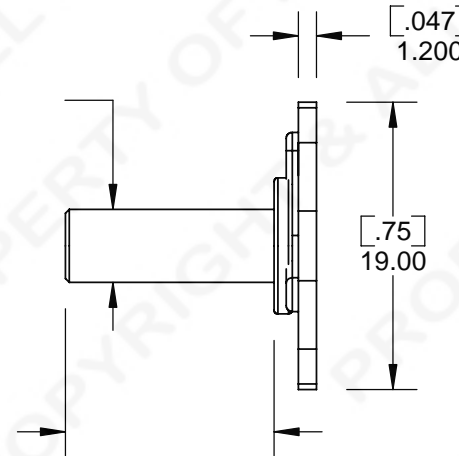
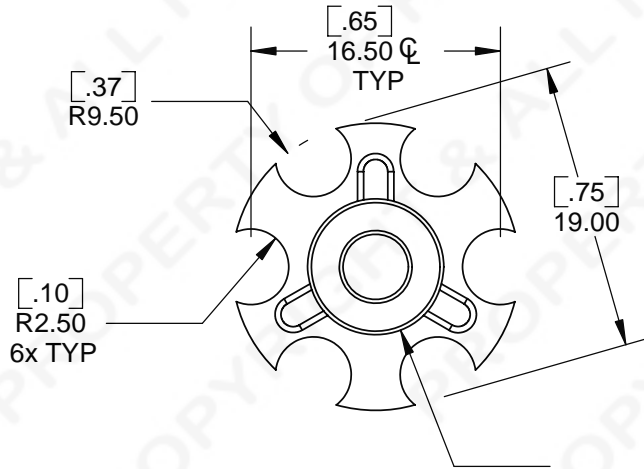


BACK VIEW



BASEPLATE SHOWN APPROX SIZE  
[1:1 SCALE]



www.rotaloc.com  
info@rotaloc.com

1.888.768.2652  
1.303.948.5434

THIS DOCUMENT IS PROPRIETARY AND CONFIDENTIAL

THE INFORMATION CONTAINED IN THIS DRAWING IS THE SOLE PROPERTY OF ROTALOC INT'L. ANY REPRODUCTION IN PART OR AS A WHOLE WITHOUT THE WRITTEN PERMISSION OF ROTALOC INT'L IS STRICTLY PROHIBITED.

DRAWING LAYOUT & CONTENTS COPYRIGHT© 2006 - ROTALOC INT'L

ROTALOC® IS A REGISTERED TRADEMARK OF ROTALOC INT'L, LLC

MATERIAL

PLATING

UNLESS OTHERWISE SPECIFIED:

DIMENSIONS ARE IN:  
(INCHES)  
MILLIMETERS

TOLERANCES:

ANGULAR:  $\pm 1^\circ$   
TWO PLACE DECIMAL:  $\pm [006] .15$   
THREE PLACE DECIMAL:  $\pm [004] .100$

DIMENSIONS & TOLERANCES  
DO NOT INCLUDE PLATINGS OR COATINGS

INTERPRET GEOMETRIC  
TOLERANCING PER: ASME Y14.5

DO NOT SCALE DRAWING

NAME

DATE

DRAWN

CHECKED

COMMENTS:

ROTALOC INT'L

TITLE:

SIZE  
**A**

DWG. NO.  
**M1-B19**

REV

WEIGHT:

SHEET 1 OF 1