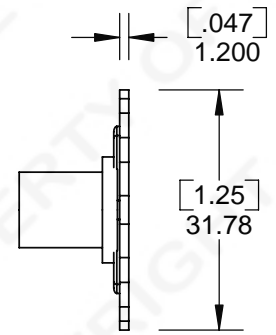
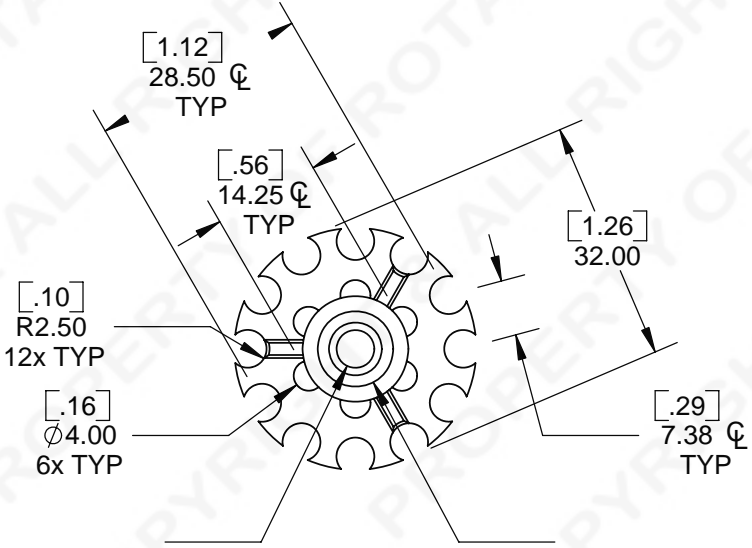


BACK VIEW



BASEPLATE SHOWN APPROX SIZE  
[ 1:1 SCALE ]



www.rotaloc.com  
info@rotaloc.com  
1.888.768.2652  
1.303.948.5434

THIS DOCUMENT IS PROPRIETARY AND CONFIDENTIAL

THE INFORMATION CONTAINED IN THIS DRAWING IS THE SOLE PROPERTY OF ROTALOC INT'L. ANY REPRODUCTION IN PART OR AS A WHOLE WITHOUT THE WRITTEN PERMISSION OF ROTALOC INT'L IS STRICTLY PROHIBITED.

DRAWING LAYOUT & CONTENTS COPYRIGHT© 2006 - ROTALOC INT'L

ROVALOC® IS A REGISTERED TRADEMARK OF ROTALOC INT'L, LLC

MATERIAL		UNLESS OTHERWISE SPECIFIED:	NAME	DATE
PLATING		DIMENSIONS ARE IN: [INCHES] MILLIMETERS	DRAWN	
		TOLERANCES:	CHECKED	
		ANGULAR: ± 1°		
		TWO PLACE DECIMAL: ± [.006"] .15		
		THREE PLACE DECIMAL: ± [.004"] .100		
		DIMENSIONS & TOLERANCES DO NOT INCLUDE PLATINGS OR COATINGS	COMMENTS:	
		INTERPRET GEOMETRIC TOLERANCING PER: ASME Y14.5		
		DO NOT SCALE DRAWING		

# ROVALOC INT'L

TITLE:		
SIZE <b>A</b>	DWG. NO. <b>F2-RB32</b>	REV
WEIGHT:		SHEET 1 OF 1